

TDTG 系列慢速斗式提升机

TDTG 6R、7R、8R 系列慢速斗式提升机适用于粮油、食品、饲料等行业的多种粒状物料的垂直提升，是本公司在引进国外先进技术的基础上精心研制的新型提升设备。

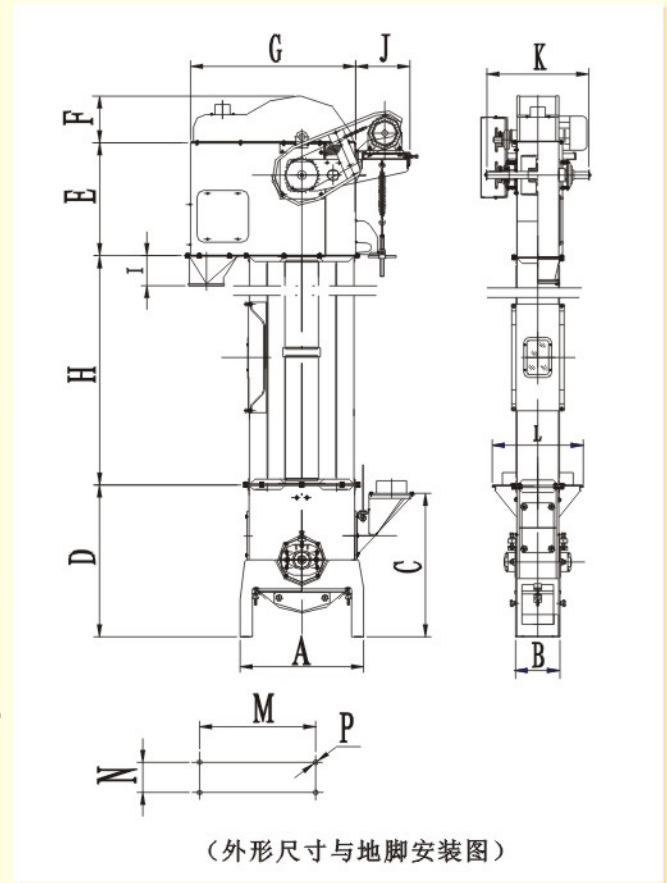
特点

- 采用较低的线速度提升，对物料的冲击力大大降低，使物料提升过程的增碎大大降低。
- 底轮为条幅式结构，装料间隙恒定，装满系数高，增碎少。
- 采用变速箱减速，体积小，安全可靠，稳定性好，并有自动张紧结构，操作方便。
- 提升机采用先进工艺制造，精度高，产品坚固耐用。
- 滑道式卸料，回料少，增碎少。

TDTG 6R, 7R, 8R series bucket elevators are used to lift vertically various of granular feedstock in grain and oil, food, feedstuff industry. They are the new generation elevators designed on the basis of overseas advanced techniques.

Feature

- With slow speed, impact force to feedstock will be greatly decreased, there by broken increment in course of elevating decreasing greatly.
- Return pulley is cage construction, with invariable loading gap, high fill coefficient, less broken increment.
- Speed-down by gear-box, with compact construction, safe, reliable, stable; equipped with automatic take-up mechanism, easy to operate.
- Adopt advanced technology, high manufacturing precision, thereby product firm and durable.
- Sliding discharge through slideway, with less returned stock, less brokens increment.



型号	A	B	C	D	E	F	G	I	J	K	L	M	N	H	P
TDTG6R	620	222	743	760	560	235	825	175	272	600	450	580	150	2000	4-φ12
TDTG7R	730	262	806	806	620	260	1025	210	321	640	450	690	168	2000	4-φ12
TDTG8R	972	292	972	950	770	300	1285	210	371	676	505	850	200	2000	4-φ14

主要技术参数

型号	6R	7R	8R
头轮直径 mm	200	250	350
动力配备kW	1.1~1.5	1.1~2.2	1.5~4.0
外畚斗宽 mm	143	174	203
输送量 t/h	6	10	15
提升高度 m	5~15	5~15	6~18

通过ISO9001国际标准质量体系认证

E-mail: yongxiangmiji@sohu.com http://www.hbyxlj.com

地址: 湖北省安陆市府河大道8号

ADD: 8 FUHE AVE. ANLU CITY, HUBEI, CHINA

电话(TEL): 0712-5254443 5254445 5258762 传真(FAX): 0712-5254443 邮编(POSTCODE): 432600